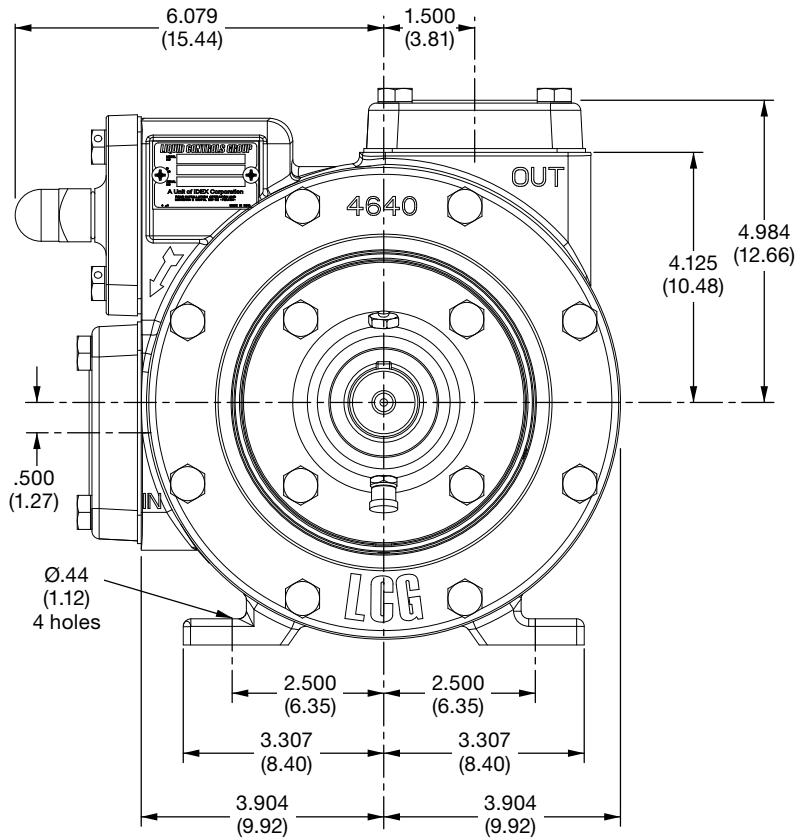
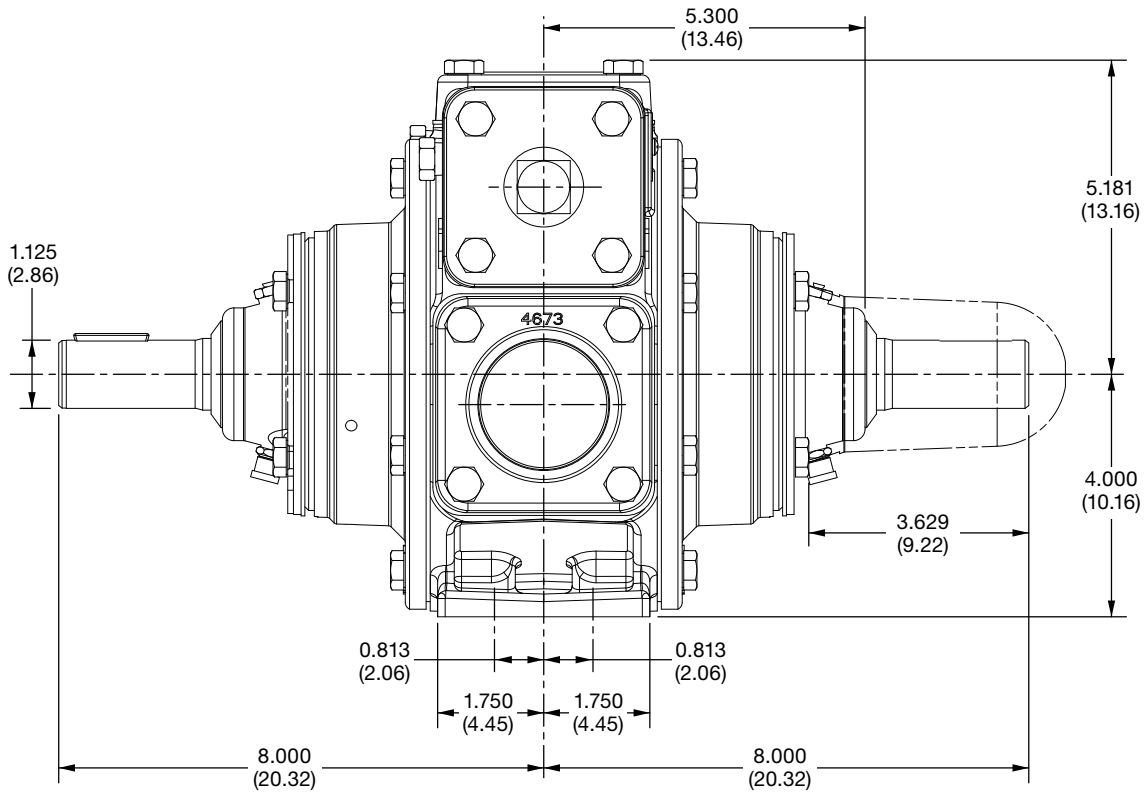
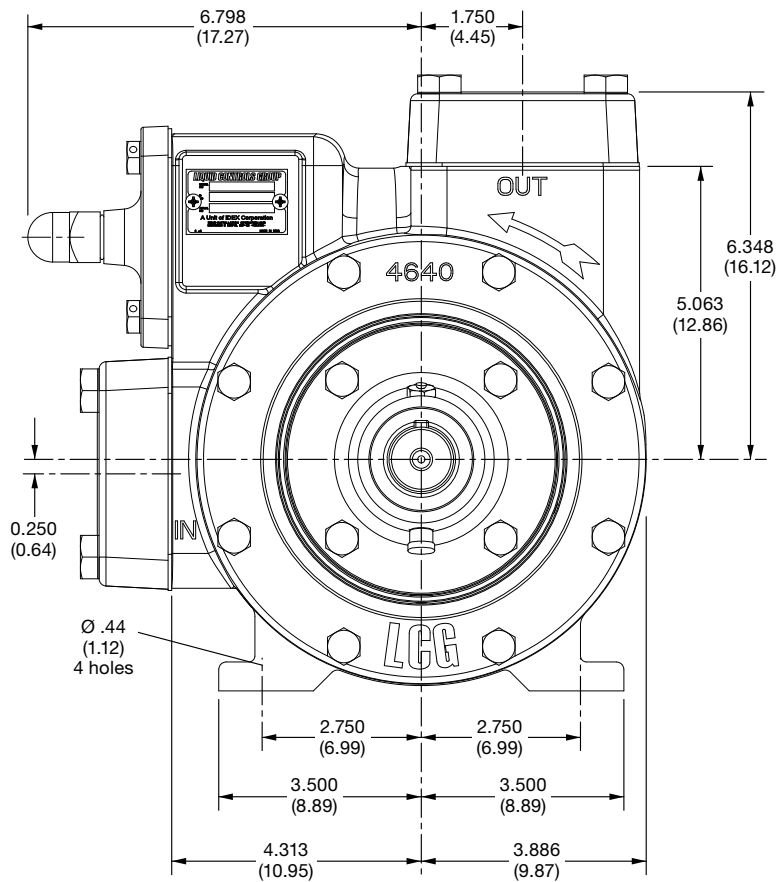
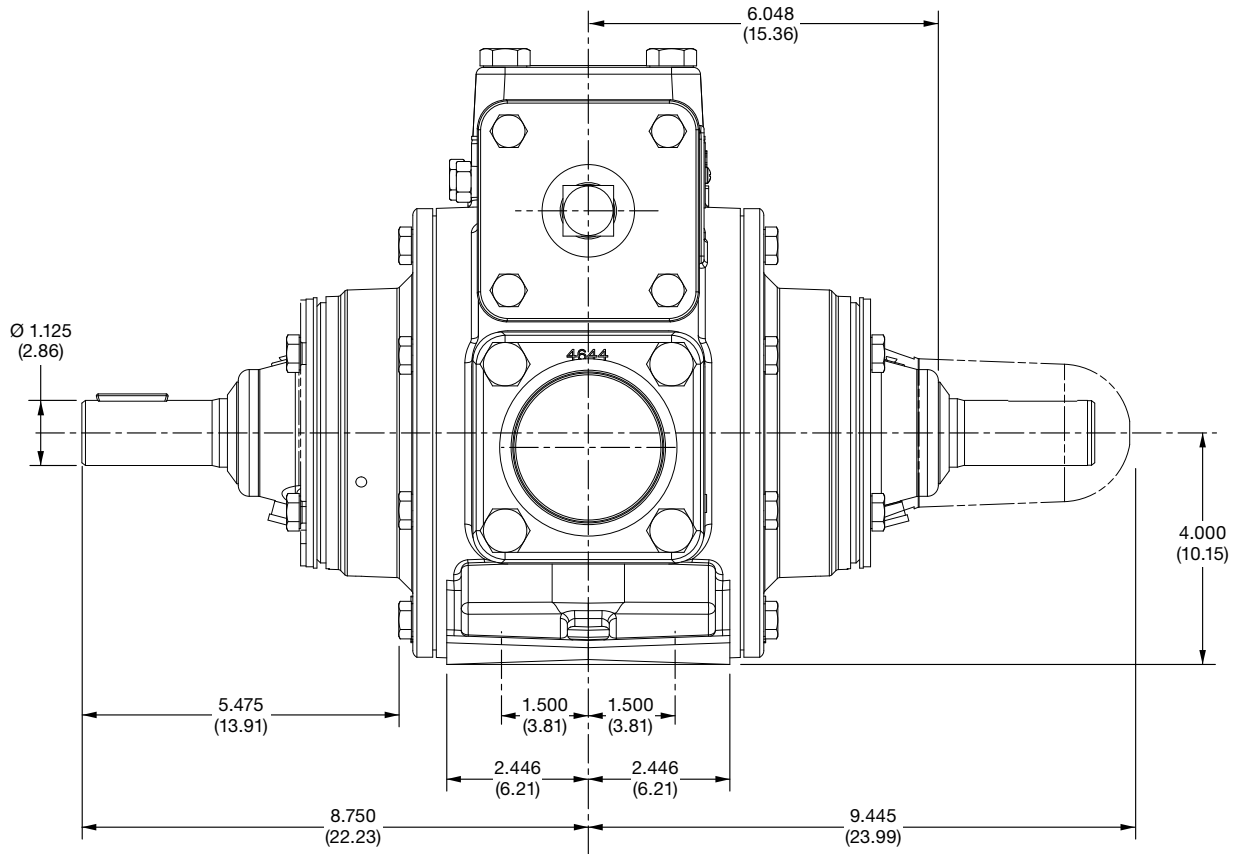


# Appendix D—Outline Dimensions for the PT20



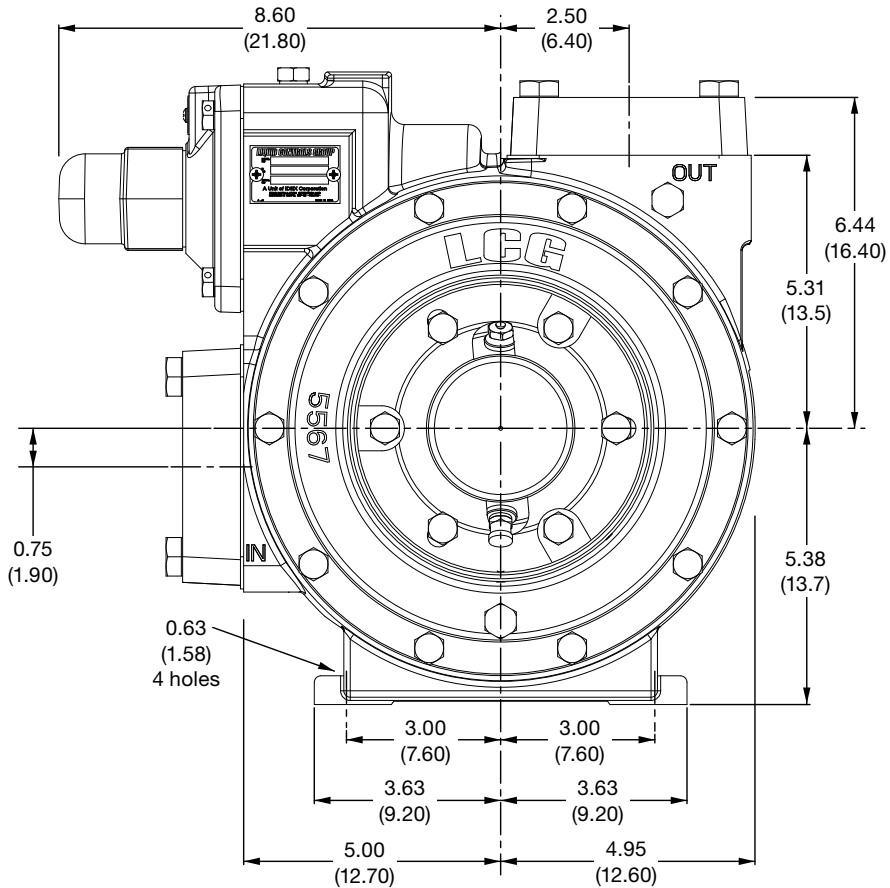
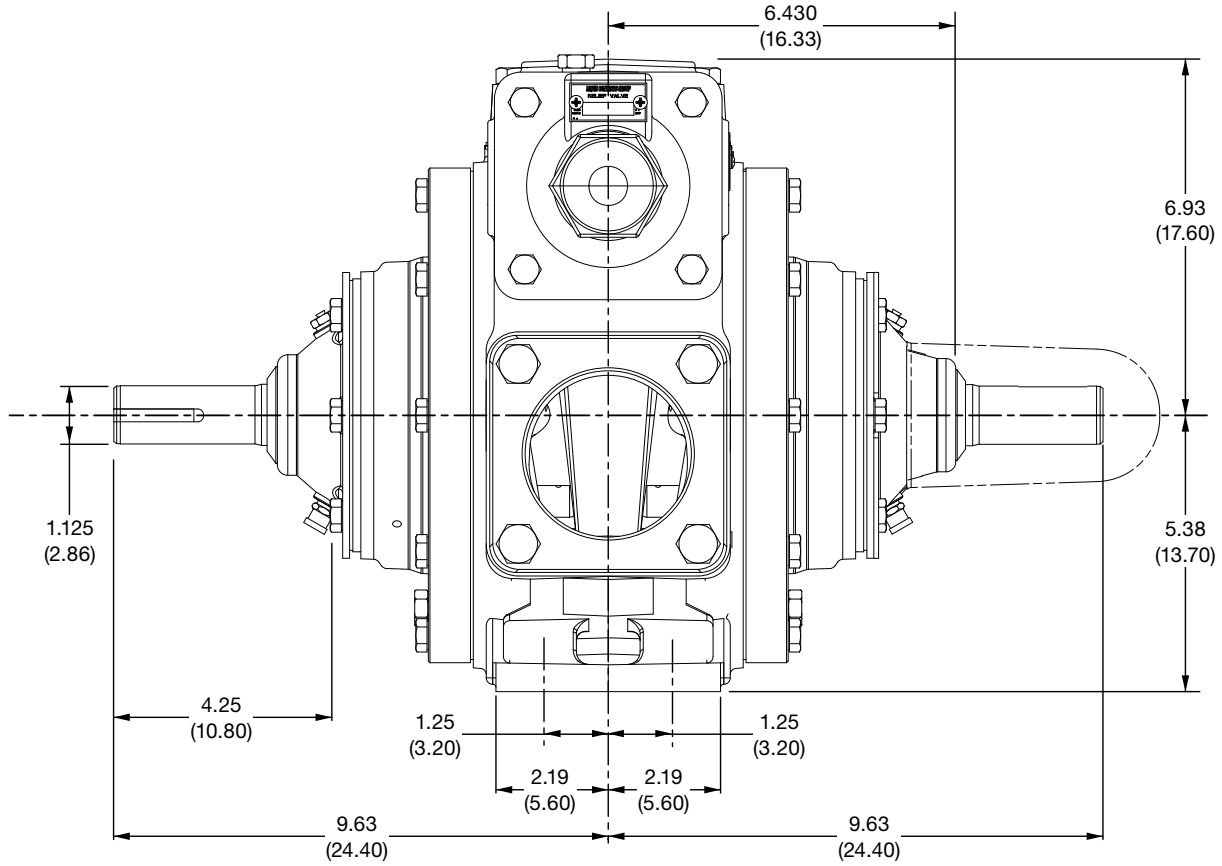
Inches (centimeters)

# Appendix D—Outline Dimensions for the PT25



Inches (centimeters)

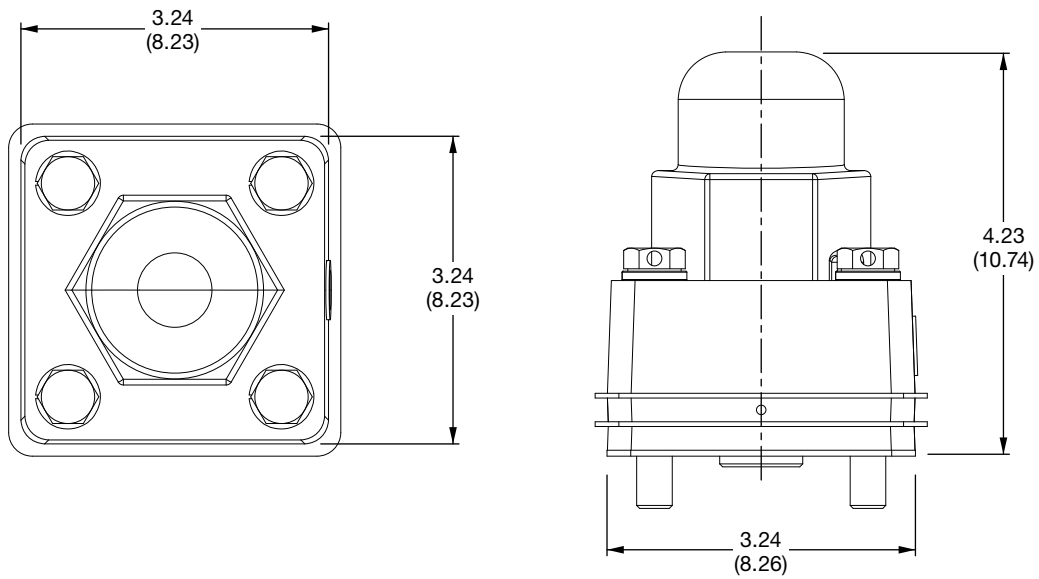
# Appendix D—Outline Dimensions for the PT30



Inches (centimeters)

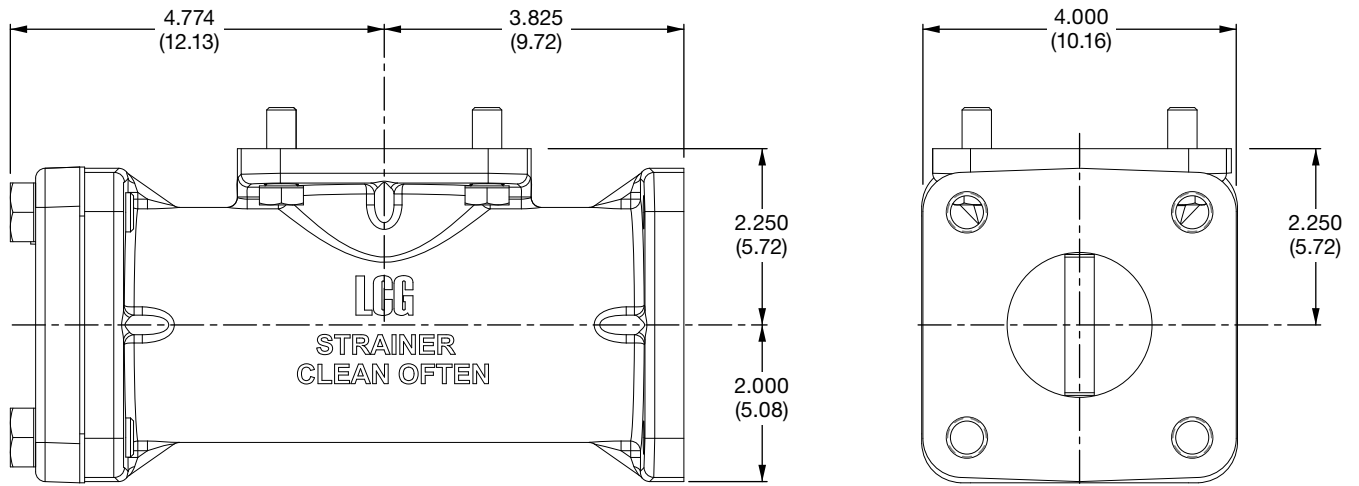
# Appendix D—Outline Dimensions for Air Operated Valve and Strainer

## 5470-1XA Air Operated Valve (AOV) Assembly for the PT/PTH20 Pumps



Inches (centimeters)

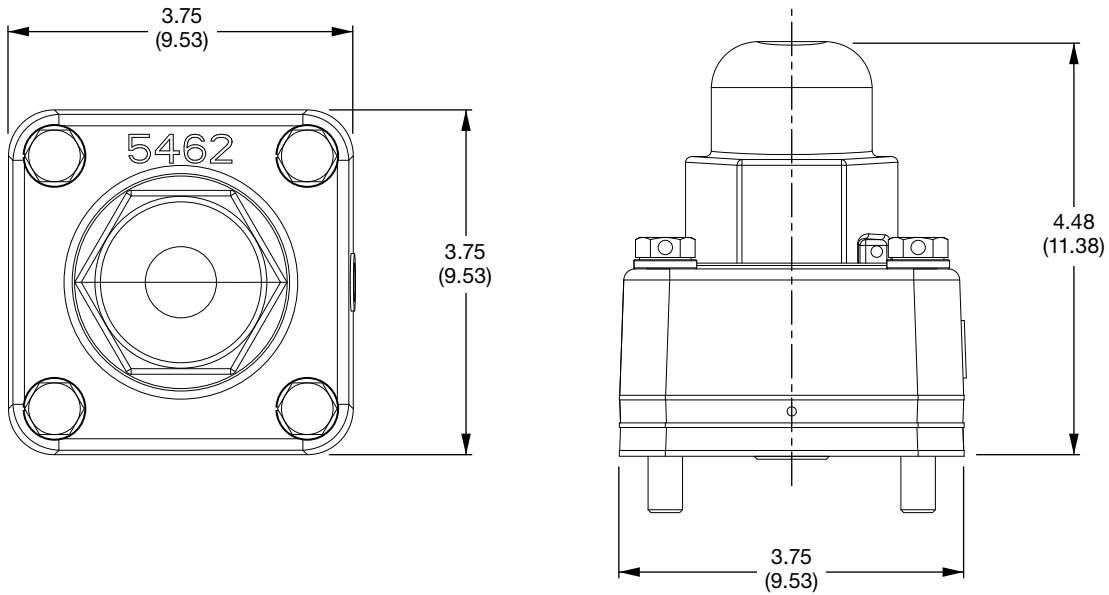
## 4684-X Strainer Assembly for the PT/PTH20 Pumps



Inches (centimeters)

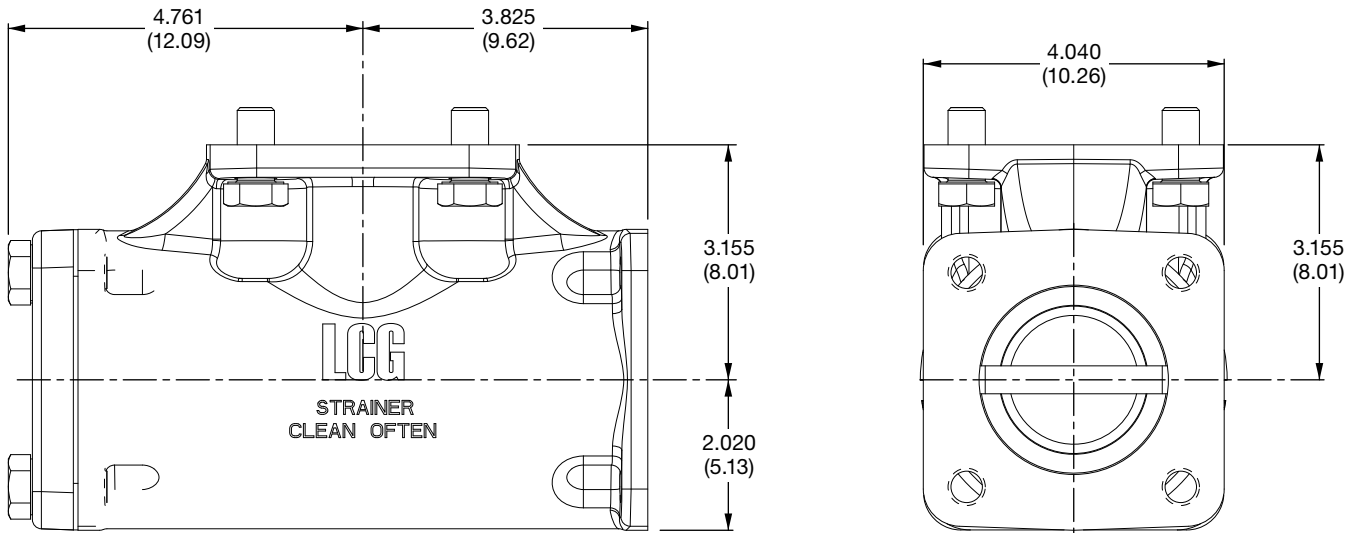
# Appendix D—Outline Dimensions for Air Operated Valve and Strainer

## 5462-1XA Air Operated Valve (AOV) Assembly for the PT/PTH25 Pumps



*Inches (centimeters)*

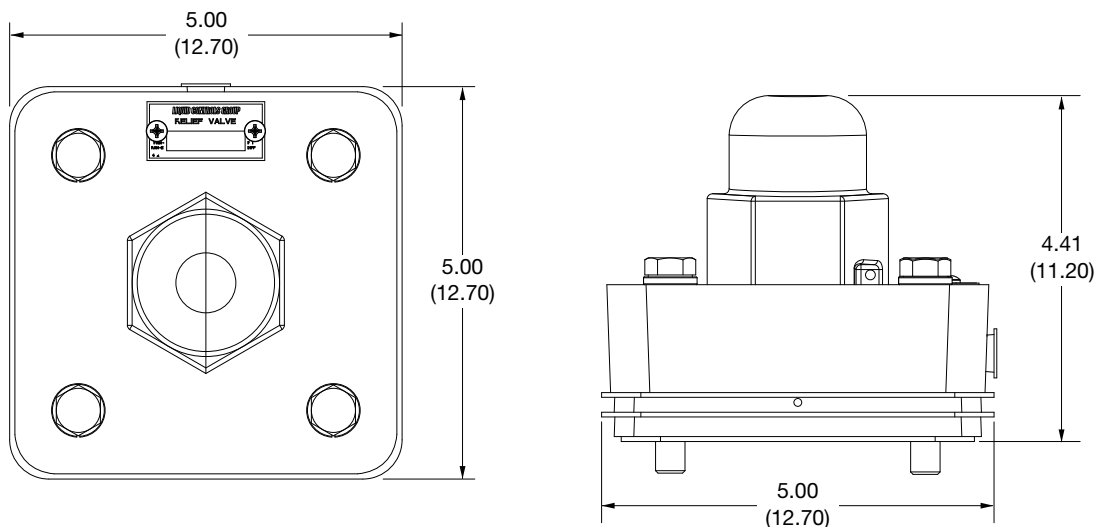
## 4689-X Strainer Assembly for the PT/PTH25 Pumps



*Inches (centimeters)*

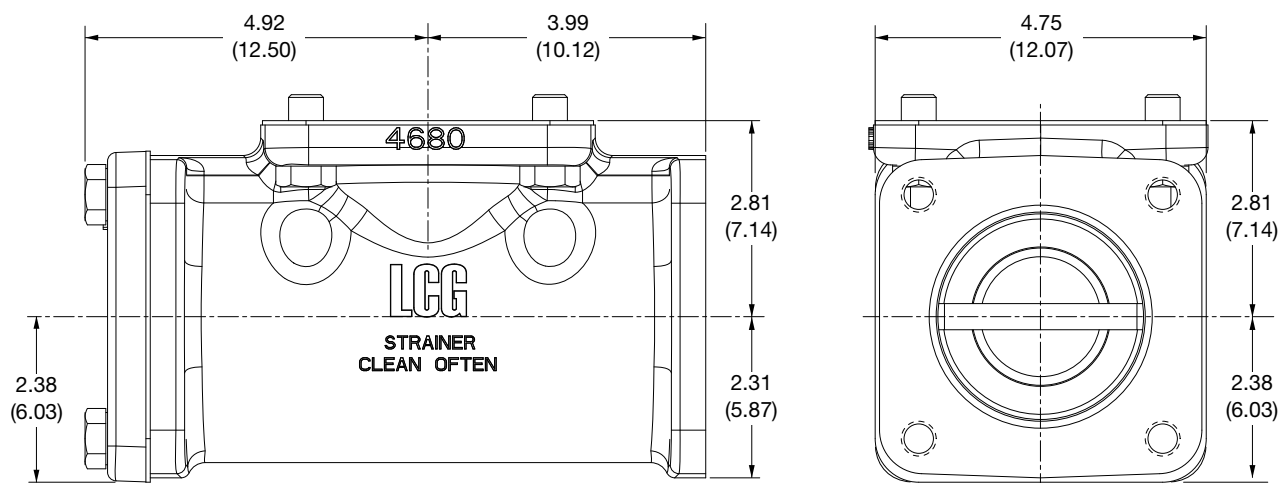
# Appendix D—Outline Dimensions for Air Operated Valve and Strainer

## 5566-XA Air Operated Valve (AOV) Assembly for the PT/PTH30 Pumps



Inches (centimeters)

## 4680-X Strainer Assembly for the PT/PTH30 Pumps



Inches (centimeters)