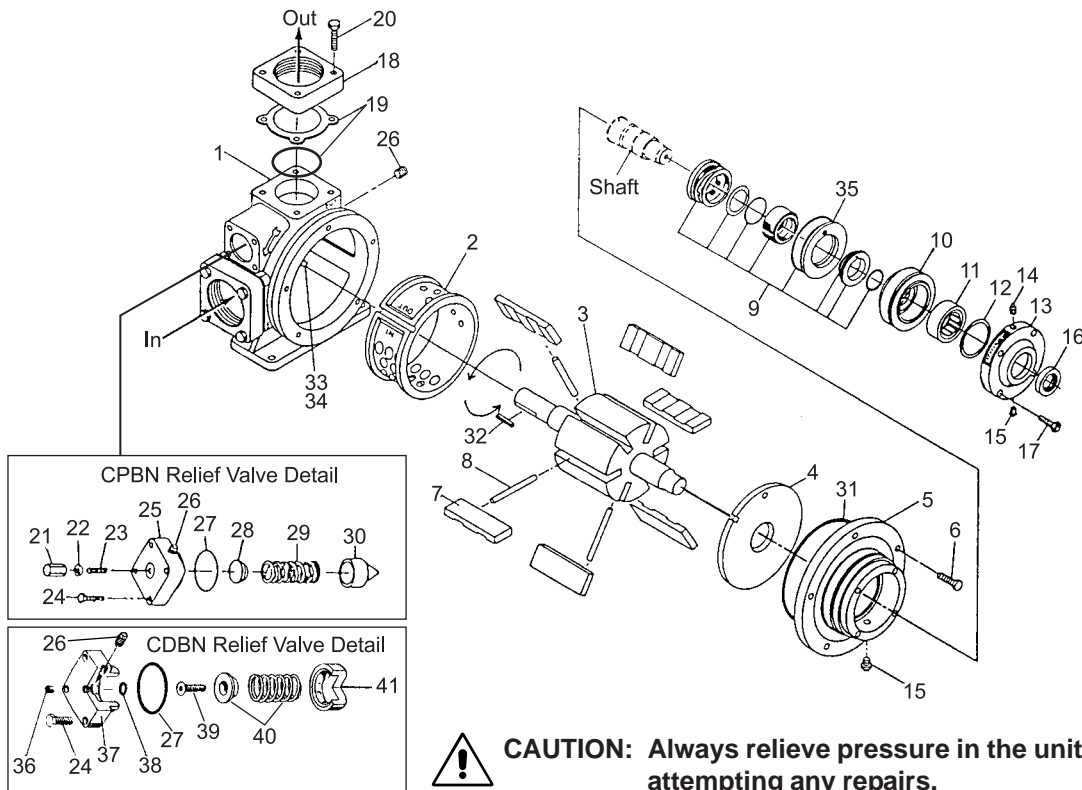


Appendix E—Parts Details For Stationary & Truck Coro-Vane® Pumps Models CPBN 0521/0522 and CDBN 0521/0522

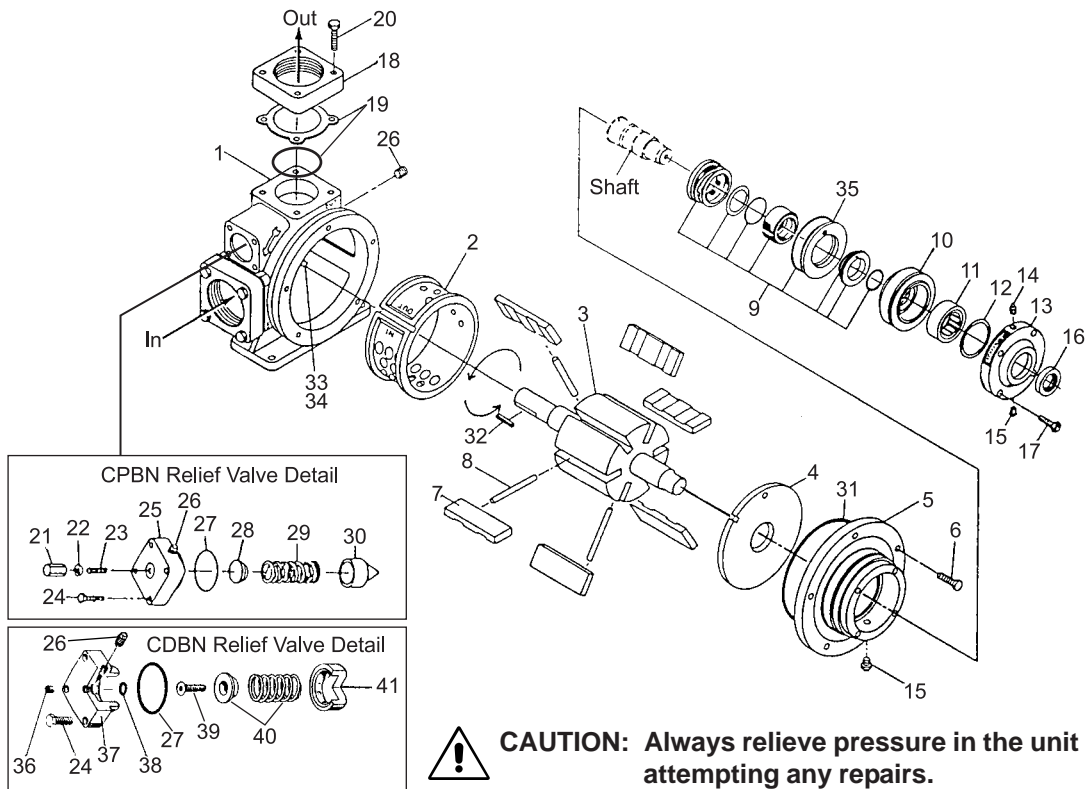


CAUTION: Always relieve pressure in the unit before attempting any repairs.

Number	Part Number	Description	Quantity
1	2153	Casing (CPBN)	1
	2832	Casing (CDBN)	1
2	1162-2	Liner	1
3	1166-1X5R	Rotor & shaft assembly (0521)	1
	1166-1X6R	Rotor & shaft assembly (0522)	1
4	3932	Side plate	2
5	1161-5	Head (CPBN)	2
	1161-4	Head (CDBN)	2
6	7001-037NC125A	Bolt for head 3/8" — 16 NC x 1-1/4" (CPBN)	10
	7001-037NC125A	Bolt for head 3/8" — 16 NC x 1-1/4" (CDBN)	20
7	3934	Vane	6
8	2705-X	Pushrod	3
9	1769-XRA2	Mechanical seal assembly (Buna-N standard)	2
	1769-XRB2	Mechanical seal assembly (Neoprene® optional) ¹	2
	1769-XRD2	Mechanical seal assembly (Viton® optional) ¹	2
	1769-XRE2	Mechanical seal assembly (Teflon® optional) ¹	2
10	1769	Bearing housing	2
11	2754-X	Roller bearing	2
12	2760-244	Retainer ring	2
13	1164-1	Bearing cap	2
14	2158	Grease zerk	2
15	1343	Relief fitting	4
16	1358	Grease seal	2
17	7001-037NC125A	Bolt for bearing cap 3/8" — 16 NC x 1-1/4"	8
18	1172-1.5	Flange 1-1/2" NPT	2
	1172-2	Flange 2" NPT	2
	1172-2.5	Flange 2-1/2" NPT	2
	1172-3	Flange 3" NPT	2
19	1999	Gasket for 1172 Flange for CPBN	2
	2-234A	Flange O-ring for CDBN (Buna-N standard)	2
	2-234B	Flange O-ring for CDBN (Neoprene® optional) ¹	2
	2-234D	Flange O-ring for CDBN (Viton® optional) ¹	2
	2-234E	Flange O-ring for CDBN (Teflon® optional) ¹	2

¹Registered trademark of the DuPont Company.

Appendix E — Parts Details For Stationary & Truck Coro-Vane® Pumps Models CPBN 0521/0522 and CDBN 0521/0522 (continued)

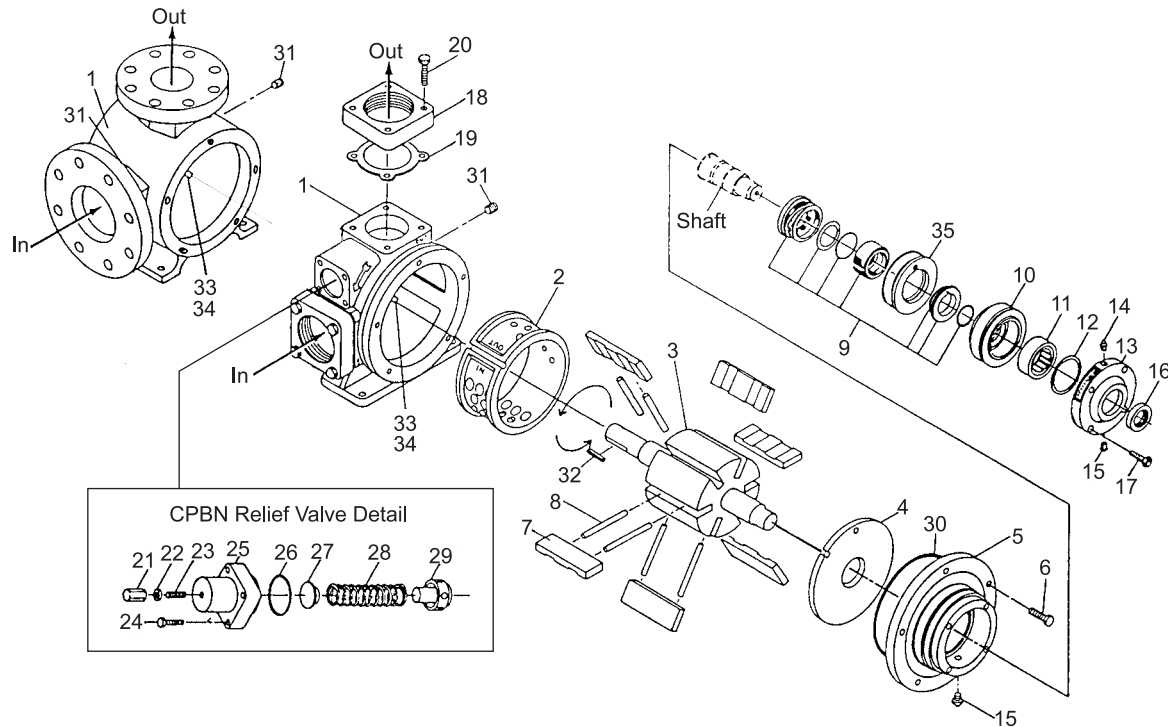


CAUTION: Always relieve pressure in the unit before attempting any repairs.

Number	Part Number	Description	Quantity
20	7001-037NC150A	Bolt for flange 3/8" — 16 NC x 1-1/2"	8
21	2458	Adjusting screw cap (CPBN)	1
22	1480	Relief valve adjusting screw gasket (CPBN)	1
23	2459	Relief valve adjusting screw 7/16" — 14 NC x 1-1/4" (CPBN)	1
24	7001-031NC125A	Bolt for relief valve cover 5/16" — 18 NC x 1-1/4"	4
25	1174-1	Relief valve cap (CPBN)	1
26	3442	Pipe plug 1/4" NPT (CPBN)	1
27	2-224A	Relief valve cap O-ring (Buna-N standard)	1
	2-224B	Relief valve cap O-ring (Neoprene® optional) ¹	1
	2-224D	Relief valve cap O-ring (Viton® optional) ¹	1
	2-224E	Relief valve cap O-ring (Teflon® optional) ¹	1
28	2457	Relief valve spring seat (CPBN)	1
29	2178	Relief valve spring (CPBN)	1
30	2456	Relief valve poppet (CPBN)	1
31	2-261A	Casing O-ring (Buna-N standard)	2
	2-261B	Casing O-ring (Neoprene® optional) ¹	2
	2-261D	Casing O-ring (Viton® optional) ¹	2
	2-261E	Casing O-ring (Teflon® optional) ¹	2
32	2270	Key	1
33	1170	Liner key	1
34	3253	Liner key pin 3/8" x 1/2"	2
35	1822	Seal adaptor plate	2
36	2590	Pipe plug, 1/8" NPT flush seal (CDBN)	1
37	1174	Relief valve cap (CDBN)	1
38	2-212A	O-ring adjusting screw (Buna-N standard) (CDBN)	1
	2-212B	O-ring adjusting screw (Neoprene® optional) ¹ (CDBN)	1
	2-212D	O-ring adjusting screw (Viton® optional) ¹ (CDBN)	1
	2-212E	O-ring adjusting screw (Teflon® optional) ¹ (CDBN)	1
39	2252	Relief valve adjusting screw (CDBN)	1
40	1242-X	Spring guide assembly (CDBN)	1
41	1241	Relief valve (CDBN)	1

¹Registered trademark of the DuPont Company.

Appendix E—Parts Details for Stationary & Truck Coro-Vane® Pumps Models CPBN 0721/0722 and CPBF 0721/0722

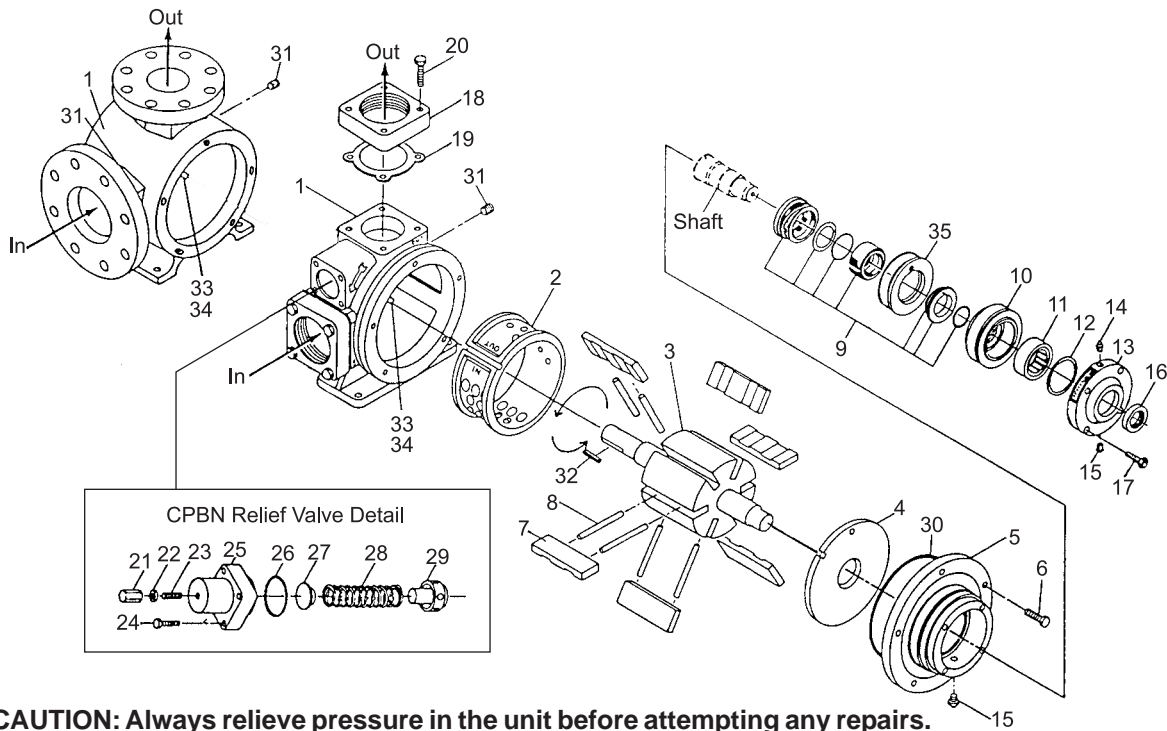


CAUTION: Always relieve pressure in the unit before attempting any repairs.

Number	Part Number	Description	Quantity
1	4042	Casing (CPBN)	1
	4077	Casing (CPBF)	1
2	4044	Liner	1
3	3983-X5R	Rotor & shaft assembly (0721)	1
	3983-X6R	Rotor & shaft assembly (0722)	1
4	3932	Side plate	2
5	1161-5	Head	2
6	7001-037NC125A	Bolt for head 3/8" — 16 NC x 1-1/4"	10
7	4041	Vane	6
8	2705-X	Pushrod	6
9	1769-XRA2	Mechanical seal assembly (Buna-N standard)	2
	1769-XRB2	Mechanical seal assembly (Neoprene® optional) ¹	2
	1769-XRD2	Mechanical seal assembly (Viton® optional) ¹	2
	1769-XRE2	Mechanical seal assembly (Teflon® optional) ¹	2
10	1769	Bearing housing end	2
11	2754-X	Roller bearing	2
12	2760-244	Spiral retainer ring	2
13	1164-1	Bearing cap	2
14	2158	Grease zerk 1/8"	2
15	1343	Relief fitting	4
16	1358	Grease seal	2
17	7001-037NC125A	Bolt for bearing cap 3/8" — 16 NC x 1-1/4"	8

¹Registered trademark of the DuPont Company.

Appendix E—Parts Details for Stationary & Truck Coro-Vane® Pumps Models CPBN 0721/0722 and CPBF 0721/0722 (continued)

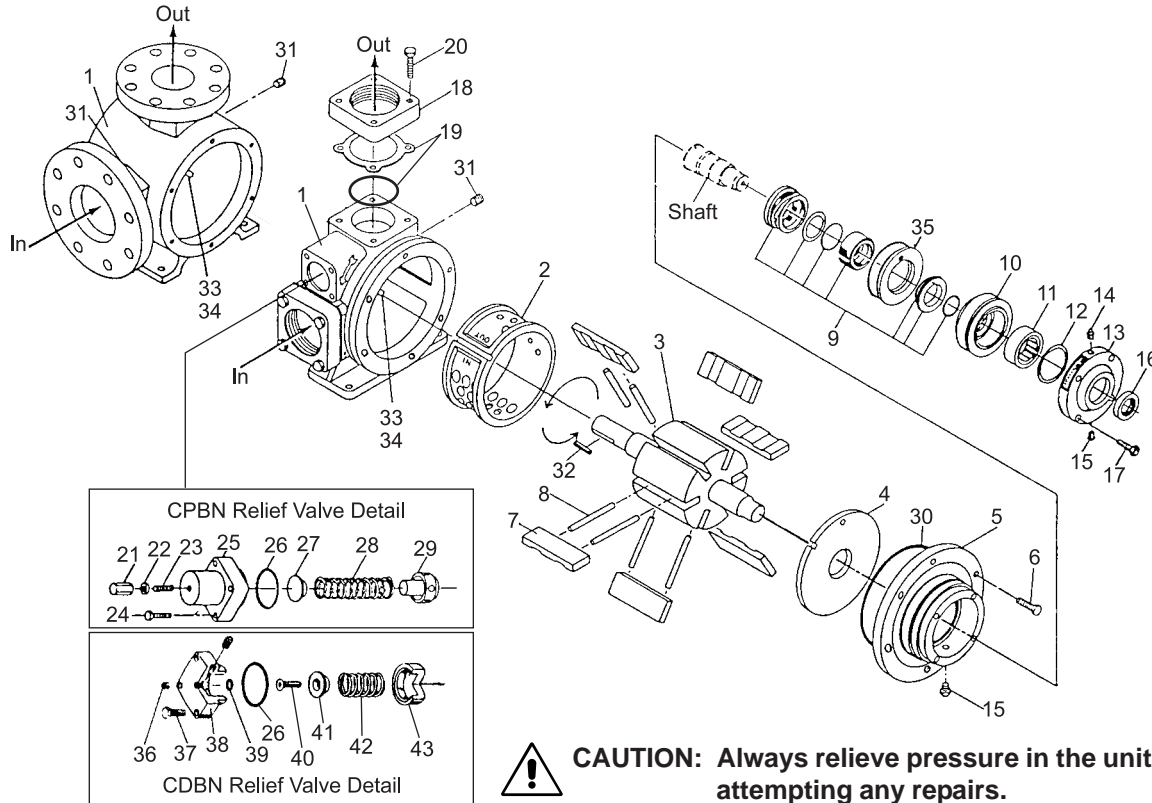


CAUTION: Always relieve pressure in the unit before attempting any repairs.

Number	Part Number	Description	Quantity
18	1172-2.5	Flange 2-1/2" NPT	2
	1172-2	Flange 2" NPT	2
	1172-3	Flange 3" NPT	2
19	1999	Gasket for flange	2
20	7001-037NC150A	Bolt for flange 3/8" — 16 NC x 1-1/2"	4
21	4025	Adjusting screw cap	1
22	1480	Relief valve adjusting screw gasket	1
23	7006-043NC250A	Relief valve socket head adjustment screw 7/16" — 14 NC x 2-1/2"	1
24	7001-037NC175A	Bolt for relief valve cover 3/8" — 16 NC x 1-3/4"	4
25	3930	Relief valve cover	1
26	2-228A	Relief valve cap O-ring (Buna-N standard)	1
	2-228B	Relief valve cap O-ring (Neoprene® optional) ¹	1
	2-228D	Relief valve cap O-ring (Viton® optional) ¹	1
	2-228E	Relief valve cap O-ring (Teflon® optional) ¹	1
27	2470	Relief valve spring seat	1
28	2949	Relief valve spring	1
29	4024	Relief valve poppet	1
30	2-261A	Casing O-ring (Buna-N standard)	2
	2-261B	Casing O-ring (Neoprene® optional) ¹	2
	2-261D	Casing O-ring (Viton® optional) ¹	2
	2-261E	Casing O-ring (Teflon® optional) ¹	2
31	3442	Pipe plug 1/4" NPT	2
32	2270	Shaft key	1
33	1891	Liner key	1
34	3253	Liner key Pin 3/8" x 1/2"	2
35	1822	Seal adapter plate	2

¹Registered trademark of the DuPont Company.

Appendix E—Parts Details for Stationary & Truck Coro-Vane® Pumps Models CPBN/BF 1021/1022 and CDBN/BF 1021/1022

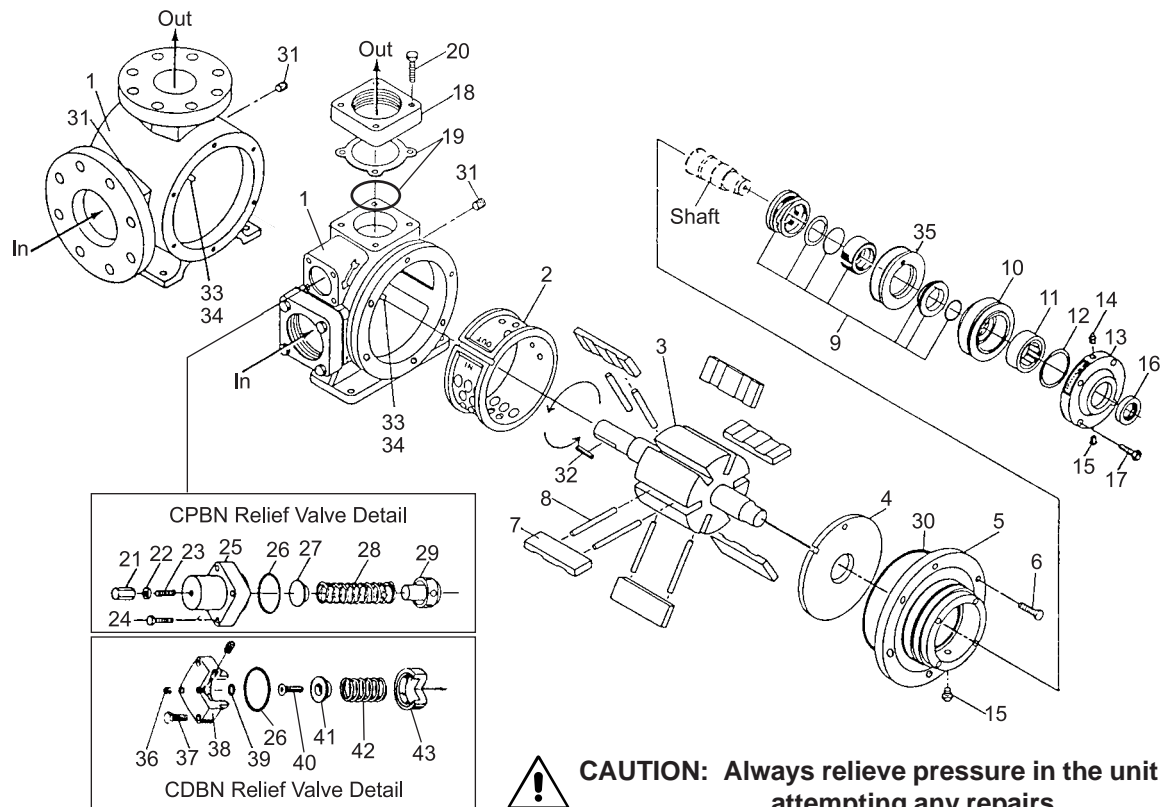


⚠ CAUTION: Always relieve pressure in the unit before attempting any repairs.

Number	Part Number	Description	Quantity
1	2227	Casing (CPBN)	1
	2841	Casing (CDBN)	1
	2433	Casing (CPBF & CDBF)	1
2	1201-2	Liner	1
3	1208-1X5R	Rotor & shaft assembly (0521)	1
	1208-1X6R	Rotor & shaft assembly (0522)	1
4	3935	Side plate	2
5	1205-5	Head (CPBN)	2
	1205-4	Head (CDBN)	2
6	7001-037NC125A	Bolt for head 3/8" — 16 NC x 1-1/4" (CPBN)	12
	7001-037NC125A	Bolt for head 3/8" — 16 NC x 1-1/4" (CDBN)	24
7	3936	Vane	6
8	2708-X	Pushrod	6
9	1769-XRA2	Mechanical seal assembly (Buna-N standard)	2
	1769-XRB2	Mechanical seal assembly (Neoprene® optional) ¹	2
	1769-XRD2	Mechanical seal assembly (Viton® optional) ¹	2
	1769-XRE2	Mechanical seal assembly (Teflon® optional) ¹	2
10	1769	Bearing housing	2
11	2754-X	Roller bearing	2
12	2760-244	Spiral retainer ring	2
13	1164-1	Bearing cap	2
14	2158	Grease zerk 1/8"	2
15	1343	Relief fitting	4
16	1358	Grease seal	2
17	7001-037NC125A	Bolt for bearing cap 3/8" — 16 NC x 1-1/4"	8
18	1172-2	Flange 2" NPT (CPBN outlet) (optional)	2
	1172-2.5	Flange 2-1/2" NPT (CPBN outlet) (optional)	2
	1172-3	Flange 3" NPT (CPBN inlet & outlet) (standard)	2
	1206-3	Flange 3" NPT (CDBN inlet & outlet) (standard)	2
	1206-3S	Flange 3" Weld (CDBN outlet) (optional)	2
	1206-4	Flange 4" NPT (CDBN outlet) (optional)	2
	1206-4S	Flange 4" Weld (CDBN outlet) (optional)	2
19	1999	Gasket for 1172 flange (CPBN)	2
	2-234A	O-ring for CDBN (Buna-N standard)	2
	2-234B	O-ring for CDBN (Neoprene® optional) ¹	2
	2-234D	O-ring for CDBN (Viton® optional) ¹	2
	2-234E	O-ring for CDBN (Teflon® optional) ¹	2

¹Registered trademark of the DuPont Company.

Appendix E—Parts Details for Stationary & Truck Coro-Vane® Pumps Models CPBN/BF 1021/1022 and CDBN/BF 1021/1022 (continued)

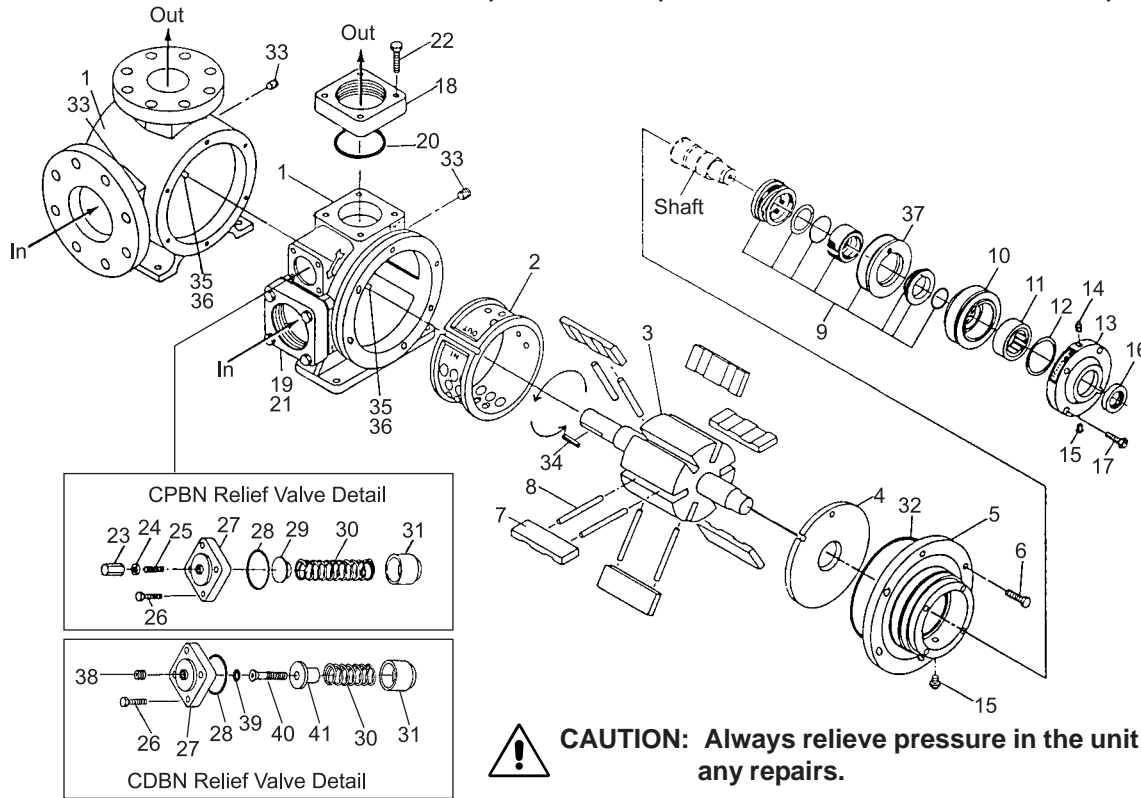


CAUTION: Always relieve pressure in the unit before attempting any repairs.

Number	Part Number	Description	Quantity
20	7001-037NC175A	Bolt for flange 3/8" — 16 NC x 1-3/4"	8
21	4025	Adjusting screw cap (CPBN)	1
22	1480	Relief valve adjusting screw gasket (CPBN)	1
23	7006-043NC250A	Relief valve socket head adjustment screw 7/16" — 14 NC x 2-1/2" (CPBN)	1
24	7001-037NC175A	Bolt for relief valve cover 3/8" — 16 NC x 1-3/4" (CPBN)	4
25	3930	Relief valve cover (CPBN)	1
26	2-228A 2-228B 2-228D 2-228E	Relief valve cap O-ring (Buna-N standard) Relief valve cap O-ring (Neoprene® optional) ¹ Relief valve cap O-ring (Viton® optional) ¹ Relief valve cap O-ring (Teflon® optional) ¹	1 1 1 1
27	2470	Relief valve spring seat (CPBN)	1
28	2949	Relief valve spring (CPBN)	1
29	4024	Relief valve poppet (CPBN)	1
30	2-268A 2-268B 2-268D 2-268E	Casing O-ring (Buna-N standard) Casing O-ring (Neoprene® optional) ¹ Casing O-ring (Viton® optional) ¹ Casing O-ring (Teflon® optional) ¹	2 2 2 2
31	3442	Pipe plug 1/4" NPT	2
32	2270	Shaft key	1
33	1309	Liner key	1
34	3253	Liner key Pin 3/8" x 1/2"	2
35	1822	Adaptor plate	2
36	2590	Pipe plug 1/8" NPT flush seal (CDBN)	1
37	7001-037NC125A	3-8/16" x 1-1/4" hex head (CDBN)	4
38	1207	Relief valve cap (CDBN)	1
39	2-112A 2-112B 2-112A 2-112A	O-ring for adjusting screw (Buna-N standard) O-ring for adjusting screw (Neoprene® optional) ¹ O-ring for adjusting screw (Viton® optional) ¹ O-ring for adjusting screw (Teflon® optional) ¹	1 1 1 1
40	2252	Relief valve adjustment screw (CDBN)	1
41	1227	Relief valve guide (CDBN)	1
42	1226	Relief valve guide spring (CDBN)	1
43	1224	Relief valve (CDBN)	1

¹Registered trademark of the DuPont Company.

Appendix E—Parts Details for Stationary & Truck Coro-Vane® Pumps Models CPBN/BF 1321/22, 1521/22, and CDBN/BF 1321/22, 1521/22

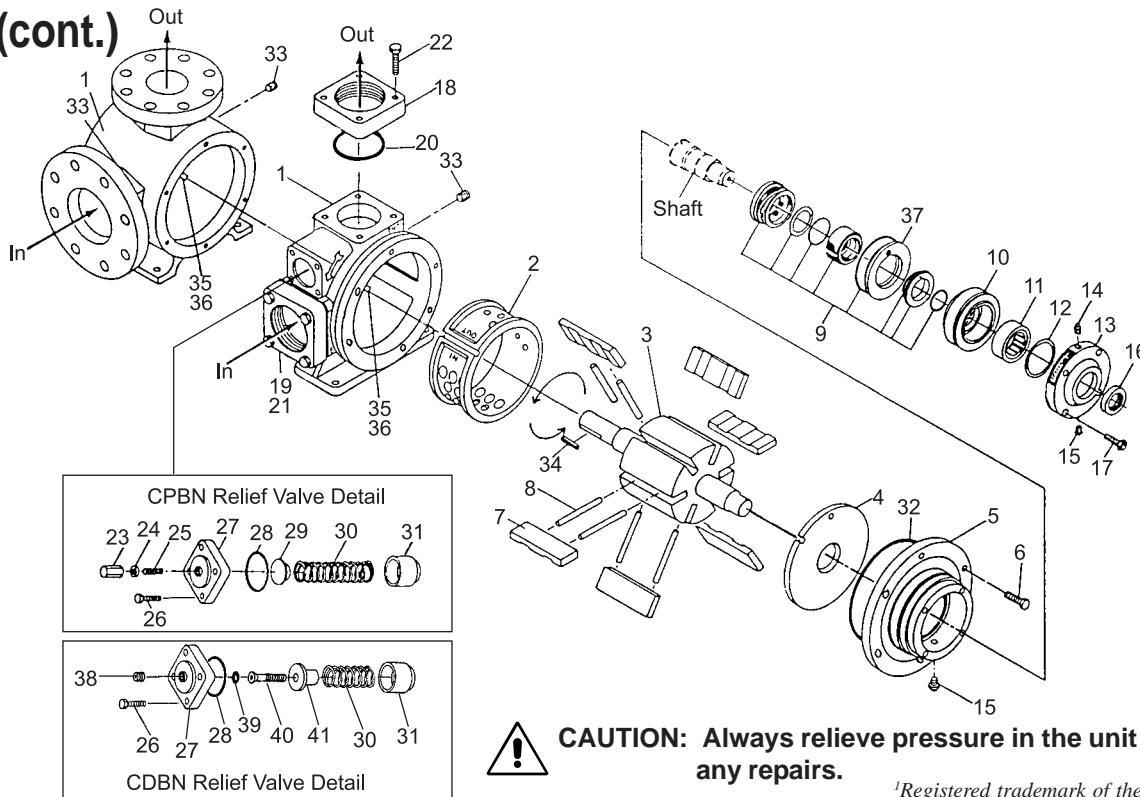


Number	Part Number	Description	Quantity
1	3254	Casing (CPBN & CDBN)	1
	2437	Casing (CPBF & CDBF)	1
2	1792-1	Liner (1521 & 1522)	1
	4072	Liner (1321 & 1322)	1
3	3350-X3R	Rotor & shaft assembly (1321 & 1521)	1
	3350-X4R	Rotor & shaft assembly (1322 & 1522)	1
4	3935	Side plate	2
5	1205-5	Head (CPBN & CPBF)	2
	1205-4	Head (CDBN & CDBF)	2
6	7001-037NC125A	Bolt for head 3/8" — 16 NC x 1-1/4" (CPBN)	12
	7001-037NC125A	Bolt for head 3/8" — 16 NC x 1-1/4" (CDBN)	24
7	3309	Vane	6
8	4028-X	Pushrod (1521 & 1522)	6
	4083-X	Pushrod (1321 & 1322)	6
9	1769-XRA2	Mechanical seal assembly (Buna-N standard)	2
	1769-XRB2	Mechanical seal assembly (Neoprene® optional) ¹	2
	1769-XRD2	Mechanical seal assembly (Viton® optional) ¹	2
	1769-XRE2	Mechanical seal assembly (Teflon® optional) ¹	2
10	1769	Bearing housing	2
11	2754	Bearing outer race	2
12	2760-244	Retainer ring	2
13	1164-1	Bearing cap	2
14	2158	Grease zerk 1/8"	2
15	1343	Relief fitting	4
16	1358	Grease seal	2
17	7001-037NC125A	Bolt for bearing cap 3/8" — 16 NC x 1-1/4"	8
18	1206-3	Flange 3" NPT CPBN/CDBN 1321 outlet standard	1
19	1206-4	Flange 4" NPT CPBN/CDBN (1321 inlet) (1521 inlet & outlet) std.	1
20	2-245A	O-ring gasket for 1206-3 flange (Buna-N standard)	1
	2-245B	O-ring gasket for 1206-3 flange (Neoprene® optional) ¹	1
	2-245D	O-ring gasket for 1206-3 flange (Viton® optional) ¹	1
	2-245E	O-ring gasket for 1206-3 flange (Teflon® optional) ¹	1

¹Registered trademark of the DuPont Company.

Appendix E—Parts Details for Stationary & Truck Coro-Vane® Pumps Models CPBN/BF 1321/22, 1521/22, and CDBN/BF 1321/22, 1521/22

(cont.)



Number	Part Number	Description	Quantity
21	2-249A	O-ring gasket for 1206-4 flange (Buna-N standard)	1
	2-249B	O-ring gasket for 1206-4 flange (Neoprene® optional) ¹	1
	2-249D	O-ring gasket for 1206-4 flange (Viton® optional) ¹	1
	2-249E	O-ring gasket for 1206-4 flange (Teflon® optional) ¹	1
22	7001-037NC150A	Bolt for flange 3/8" — 16 NC x 1-1/2"	8
23	4025	Adjusting screw cap (CPBN)	1
24	1480	Gasket (CPBN)	1
25	7006-043NC250A	Relief valve soc. hd. adj. screw 7/16" — 14 NCx2-1/2" (CPBN)	1
26	7001-037NC100A	Bolt for relief valve cover 3/8" — 16 NC x 1"	4
27	4061-1	Relief valve cap (CPBN)	1
	4061	Relief valve cap (CDBN)	1
28	2-240A	Relief valve cap O-ring (Buna-N standard)	1
	2-240B	Relief valve cap O-ring (Neoprene® optional) ¹	1
	2-240D	Relief valve cap O-ring (Viton® optional) ¹	1
	2-240E	Relief valve cap O-ring (Teflon® optional) ¹	1
29	4074	Relief valve spring seat (CPBN)	1
30	4075	Relief valve spring	1
31	4062	Relief valve poppet	1
32	2-268A	Casing O-ring	2
	2-268B	Casing O-ring	2
	2-268D	Casing O-ring	2
	2-268E	Casing O-ring	2
33	3442	Pipe plug 1/4" NPT	2
34	2270	Shaft key	1
35	1309	Liner key	1
36	3253	Liner key pin 3/8" x 1/2"	2
37	1822	Seal adaptor plate	2
38	2590	Flush seal plug—1/8" NPT (CDBN)	1
39	2-112A	O-ring (Buna-N standard) (CDBN)	1
	2-112B	O-ring (Neoprene® optional) ¹ (CDBN)	1
	2-112D	O-ring (Viton® optional) ¹ (CDBN)	1
	2-112E	O-ring (Teflon® optional) ¹ (CDBN)	1
40	4078	Relief valve adjustment screw (CDBN)	1
41	4073	Relief valve spring seat (CDBN)	1